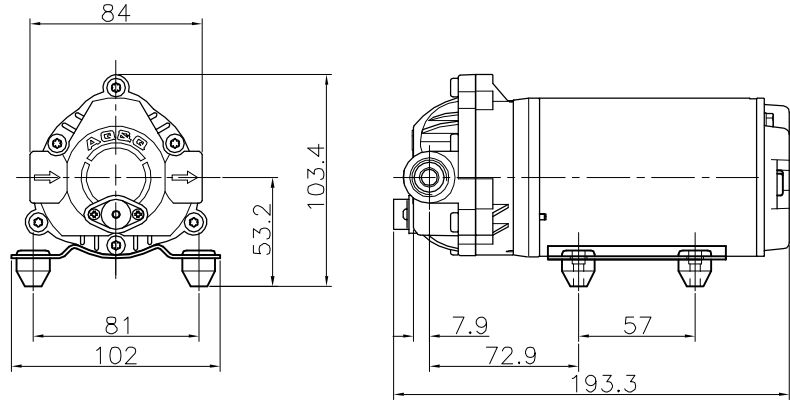


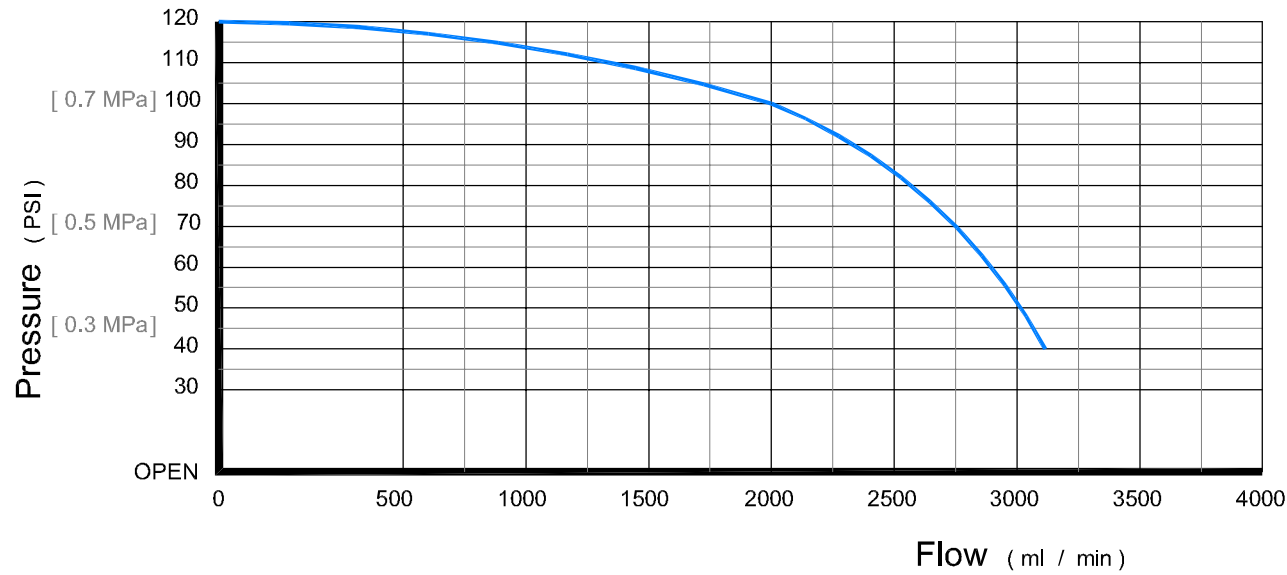
Dimension : MM



Specifications :

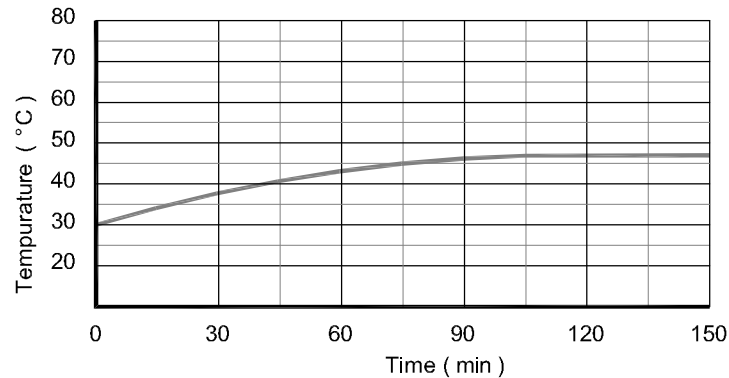
- ⊙ Design Positive displacement
3 - chamber diaphragm pump
- ⊙ Motor Permanent magnet
- ⊙ Voltage 24 VDC nominal ; DC or AC ,
12 , 24 , 36 , 48 V available
- ⊙ Ports 3 / 8 " - 18 NPT Female ,
or 1 / 4 " Quick connect
- ⊙ Material Santoprene™ & Polyamide
- ⊙ Pressure control Non-adjustable by-pass

FLOW CURVE



TEST CONDITION
 1. TEST MODEL : E - 340 - 1024
 2. INLET PRESSURE : 30 PSI
 3. INPUT VOLTAGE : 24 VDC

	PRESSURE (psi)	FLOW (ml / min)	CURRENT (Amps)
BY - PASS			2.35
	100	2000	2.00
	90	2400	1.80
	80	2600	1.60
	70	2750	1.45
	60	2900	1.25
	50	3000	1.10
	40	3100	0.95



TEST CONDITION
 1. INLET PRESSURE : 30 PSI
 2. WORKING PRESSURE : 70 PSI