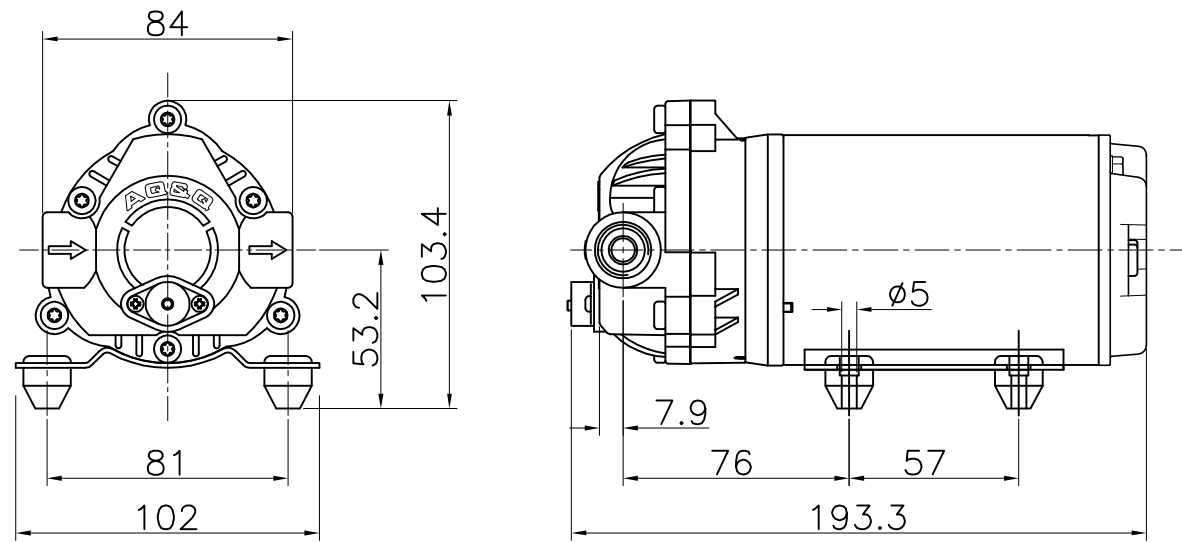
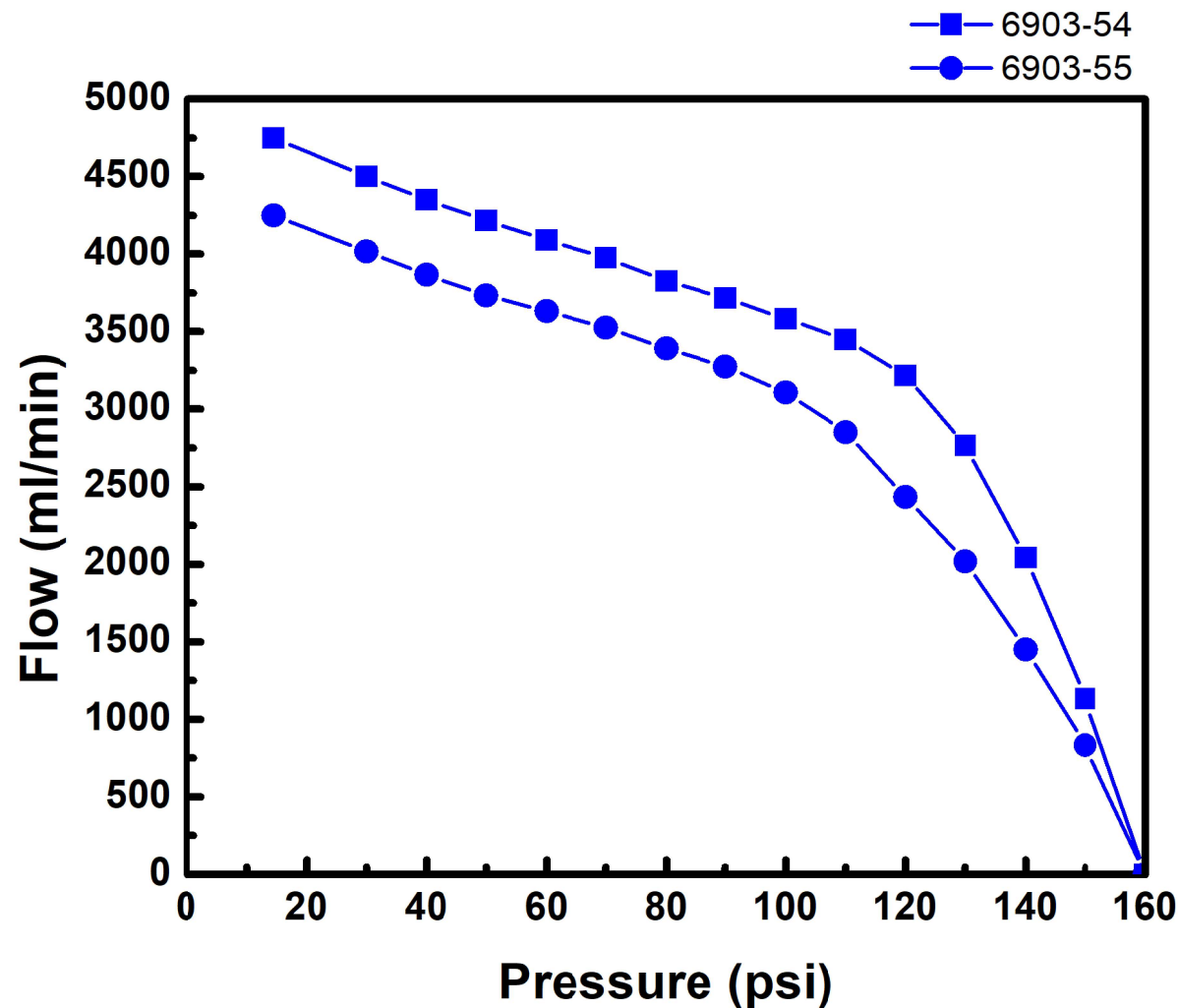


Dimension : MM



Specifications :

- ⊙ Design Positive displacement
3 - chamber diaphragm pump
- ⊙ Motor Permanent magnet / Carbon brush
- ⊙ Voltage 115VAC, 230VAC
- ⊙ Ports 10 mm Quick connect
3 / 8 " Quick connect
5 / 16 " Quick connect
1 / 4 " Quick connect
- ⊙ Material Santoprene & Polyamide
- ⊙ Pressure control Adjustable By-pass



TEST CONDITION

1. TEST MODEL : 6903
2. INLET PRESSURE : 1 BAR
3. INPUT VOLTAGE : 115VAC, 230VAC, 24VDC

6903 - 55

PRESSURE (psi)	FLOW (ml/min)	CURRENT (Amps)		
		230VAC	115VAC	24VDC
BY - PASS		0.452	0.942	4.03
150	833	0.430	0.900	3.77
140	1450	0.409	0.864	3.57
130	2017	0.390	0.823	3.36
120	2433	0.370	0.783	3.13
110	2850	0.349	0.741	2.94
100	3108	0.329	0.696	2.74
90	3275	0.306	0.648	2.54
80	3392	0.286	0.605	2.34
70	3525	0.265	0.560	2.13
60	3633	0.243	0.508	1.94
50	3733	0.221	0.466	1.70
40	3867	0.198	0.416	1.51
30	4017	0.178	0.373	1.31
OPEN	4250	0.142	0.290	0.89

6903 - 54

PRESSURE (psi)	FLOW (ml/min)	CURRENT (Amps)		
		230VAC	115VAC	24VDC
BY - PASS		0.529	1.138	4.07
150	1133	0.506	1.071	3.81
140	2042	0.482	1.025	3.81
130	2767	0.459	0.981	3.60
120	3217	0.436	0.940	3.37
110	3450	0.411	0.894	3.17
100	3583	0.384	0.834	2.91
90	3715	0.358	0.775	2.72
80	3825	0.323	0.724	2.48
70	3975	0.306	0.668	2.25
60	4092	0.283	0.617	2.04
50	4217	0.255	0.555	1.82
40	4350	0.229	0.505	1.59
30	4500	0.201	0.453	1.23
OPEN	4750	0.169	0.378	0.98