

44Series

BENEFITS

Corrosion resistant metal
Easy to assemble
Run dry without damage
Self priming

FEATURES

Long life designed
Low vibration
Quiet and High efficient performance
Variety voltage version available

APPLICATIONS

Reverse Osmosis system
Beverage system
Domestic water system
Sparkling system

COMMON MODEL

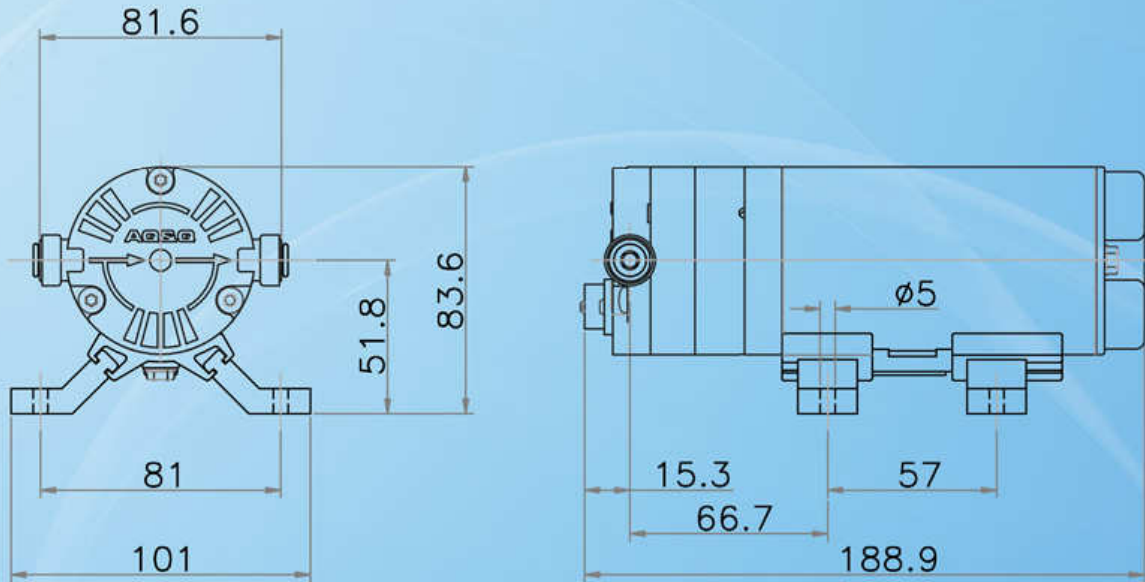
Name	Flow
S-50	50GPD
S-100	100GPD



AQQS Pumps and Accessories

<http://www.aqq.com.tw>

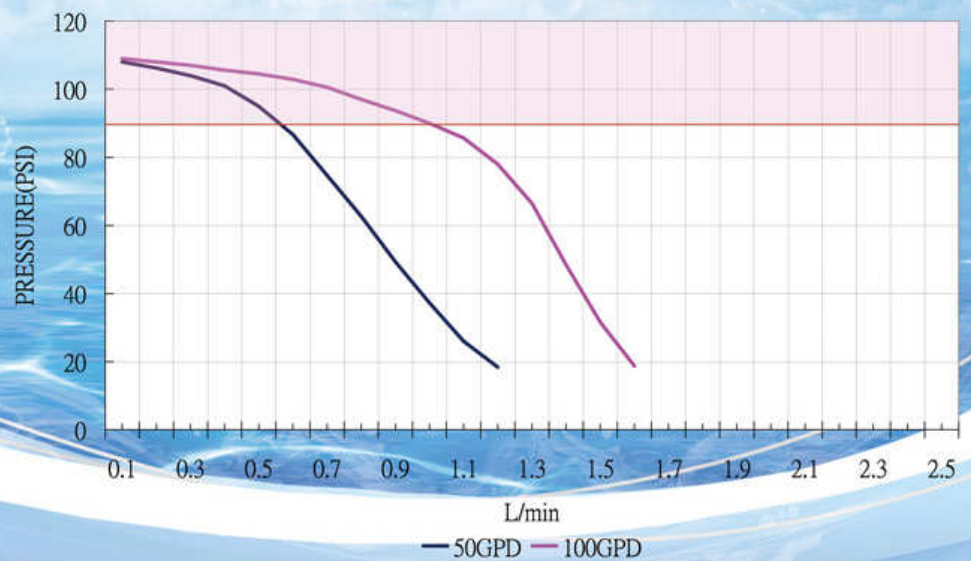
Dimension



Specifications:

⊙ Design	Positive displacement 3 chamber diaphragm pump
⊙ Motor	Permanent magnet motors. Ball bearing drive.
⊙ Voltage	24 VDC/VAC (Variety voltage available)
⊙ Ports	1/4" Quick Connect available
⊙ Material	Santoprene™ & Polyamide

Flow Curve



Test Condition

1. Test Model : 44 Series
2. Inlet Pressure : 20 psi

Recommendation:

For Reserve Osmosis system application, pressure shall not over 90psi.

Note:

Technical specification sheets are available for individual model numbers, AQ&Q reserves the right to update specifications, change prices, or make substitutions without prior notice.