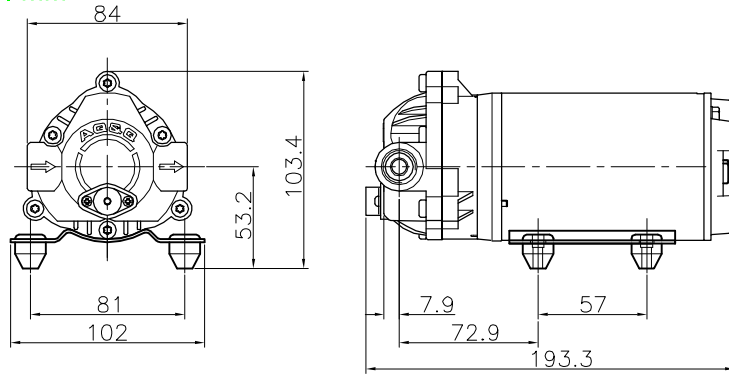


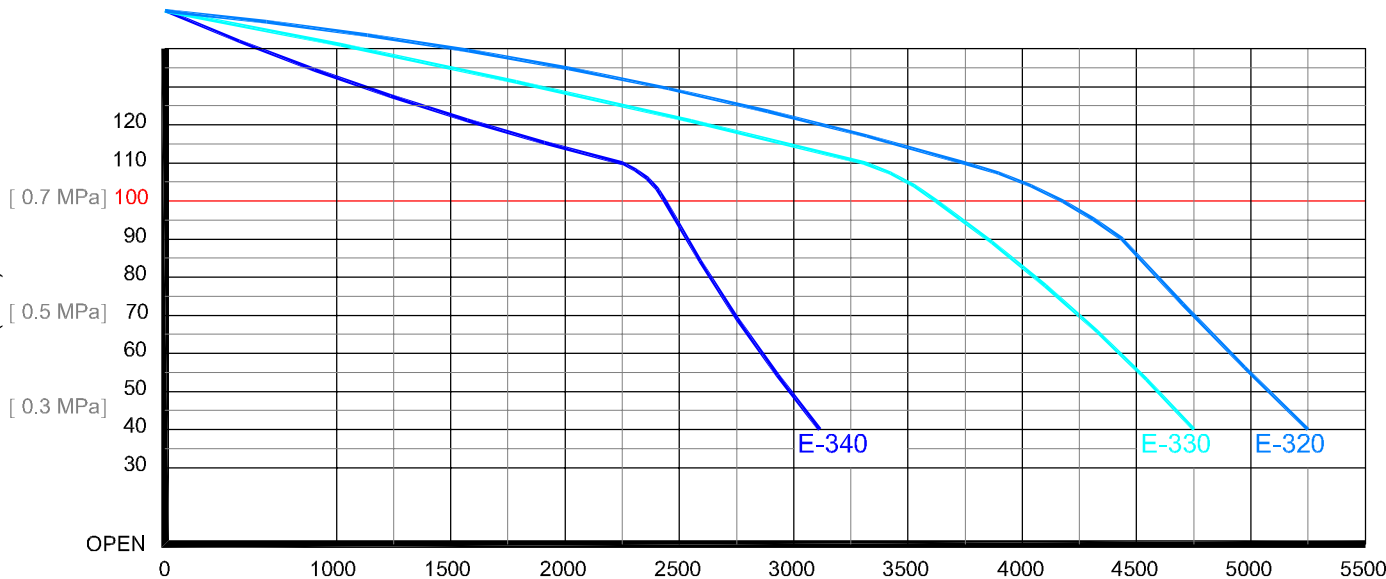
Dimension : MM



Specifications :

- ⊙ Design Positive displacement
3 - chamber diaphragm pump
- ⊙ Motor Permanent magnet
- ⊙ Voltage 24 VDC nominal ; DC or AC ,
12 , 24 , 36 , 48 V available
- ⊙ Ports 3 / 8 " - 18 NPT Female ,
or 1 / 4 " Quick connect
- ⊙ Material Santoprene™ & Polyamide
- ⊙ Pressure Adjustable By-pass Valve
control

FLOW CURVE



TEST CONDITION

1. TEST MODEL : E - 340 , E-330 , E-320
2. INLET PRESSURE : 30 PSI
3. INPUT VOLTAGE : 24 VDC / 36 VDC

BY - PASS	E-340 24 VDC		E-330 36 VDC		E-320 36 VDC	
	PRESSURE (psi)	FLOW (ml / min)	CURRENT (Amps)	FLOW (ml / min)	CURRENT (Amps)	FLOW (ml / min)
110	2300	2.15	3300	2.35	3750	2.60
100	2450	2.00	3650	2.20	4150	2.40
90	2550	1.80	3900	2.00	4450	2.20
80	2650	1.60	4100	1.80	4600	2.05
70	2750	1.45	4250	1.60	4750	1.85
60	2900	1.25	4450	1.40	4850	1.65
50	3000	1.10	4650	1.20	5100	1.45